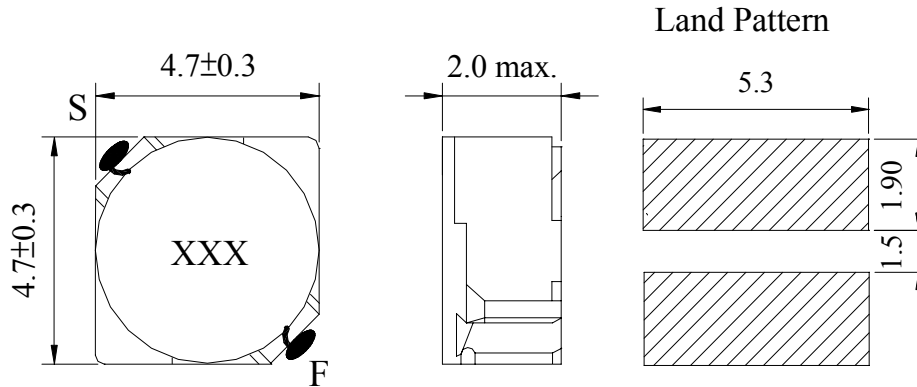




【SDRH4D18-SERIES】

DIMENSIONS & RECOMMENDED PATTERN



Unit: mm

※ FEATURES

- Applications : DC to DC converter of portable equipment, camcorder, LCD television set, digital camera, P.D.A., notebook

SELECTION GUIDE FOR STANDARD COILS

SDE Part Number	Inductance	Tolerance	DC Resistance	Inductance Decrease Current
	(μH)	(%)	(Ω) Max	(A) Max
SDRH4D18 - 1R0N	1.0	± 30%	0.045	1.72
SDRH4D18 - 2R2N	2.2	± 30%	0.075	1.32
SDRH4D18 - 2R7N	2.7	± 30%	0.105	1.28
SDRH4D18 - 3R3N	3.3	± 30%	0.110	1.04
SDRH4D18 - 3R9N	3.9	± 30%	0.155	0.88
SDRH4D18 - 4R7N	4.7	± 30%	0.162	0.84
SDRH4D18 - 5R6N	5.6	± 30%	0.170	0.80
SDRH4D18 - 6R8N	6.8	± 30%	0.200	0.76
SDRH4D18 - 8R2N	8.2	± 30%	0.245	0.68
SDRH4D18 - 100N	10.0	± 30%	0.200	0.61
SDRH4D18 - 120N	12.0	± 30%	0.210	0.56
SDRH4D18 - 150N	15.0	± 30%	0.240	0.50
SDRH4D18 - 180N	18.0	± 30%	0.338	0.48
SDRH4D18 - 220N	22.0	± 30%	0.397	0.41
SDRH4D18 - 270N	27.0	± 30%	0.441	0.35
SDRH4D18 - 330N	33.0	± 30%	0.694	0.32
SDRH4D18 - 390N	39.0	± 30%	0.709	0.30
SDRH4D18 - 470N	47.0	± 30%	0.922	0.28
SDRH4D18 - 560N	56.0	± 30%	1.080	0.26





【SDRH4D18-SERIES】

SELECTION GUIDE FOR STANDARD COILS

SDE Part Number	Inductance	Tolerance	DC Resistance	Inductance Decrease Current
	(μ H)	(%)	(Ω) Max	(A) Max
SDRH4D18 - 680N	68.0	$\pm 30\%$	1.300	0.24
SDRH4D18 - 820N	82.0	$\pm 30\%$	1.560	0.22
SDRH4D18 - 101N	100.0	$\pm 30\%$	1.730	0.20
SDRH4D18 - 121N	120.0	$\pm 30\%$	2.390	0.18
SDRH4D18 - 151N	150.0	$\pm 30\%$	2.670	0.15
SDRH4D18 - 181N	180.0	$\pm 30\%$	4.000	0.14

※ GENERAL SPECIFICATION:

- a. Inductance drop =35% typ. at IDC.
- b. $\Delta T=40^{\circ}\text{C}$ rise at IDC.
- c. Operating Temperature : $-40^{\circ}\text{C} \sim +85^{\circ}\text{C}$
- d. Test Freq. : 100KHz / 0.1V.



Specifications subject to change without notice. Please check our website for latest information. Released: 2012/12/18

Danxingda Shenzhen,China Tel: 0755-61303918 Fax: 0755-83462232 Web:<http://www.mydxd.com> E-mail: lareina@mydxd.com